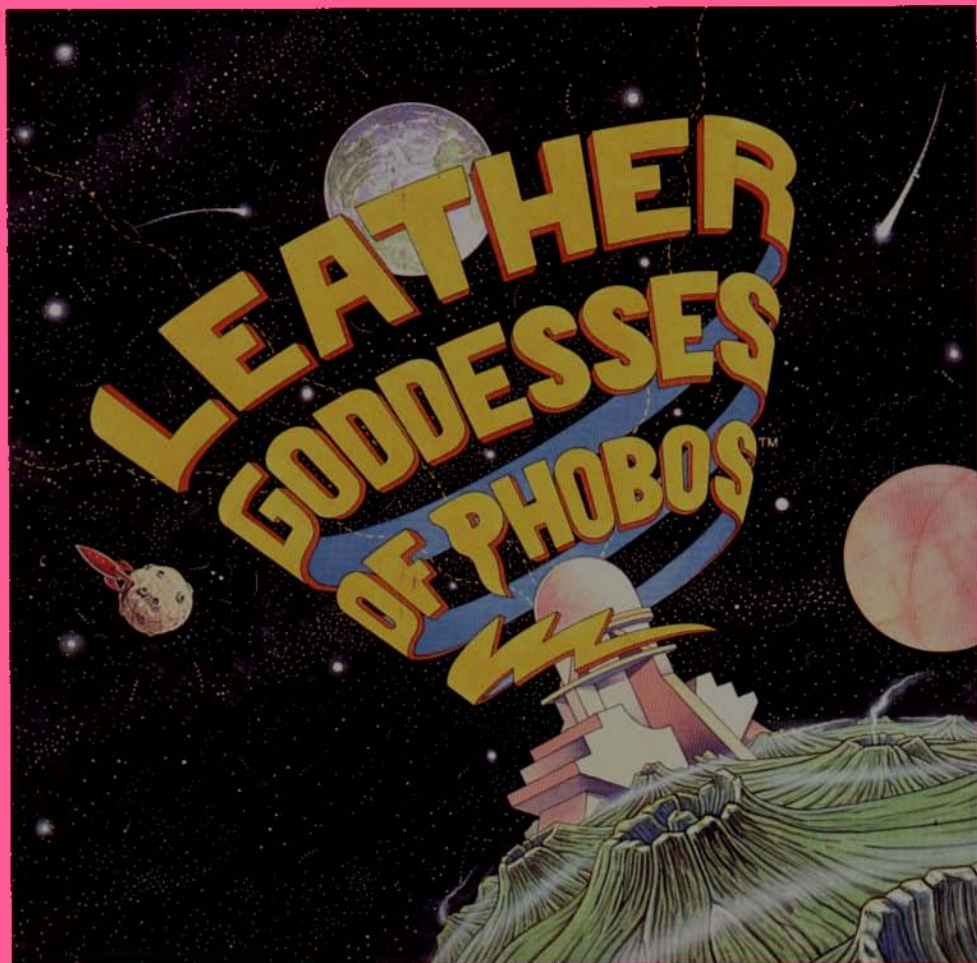


InvisiClues™  
The Hint Booklet for



**INFOCOM™**

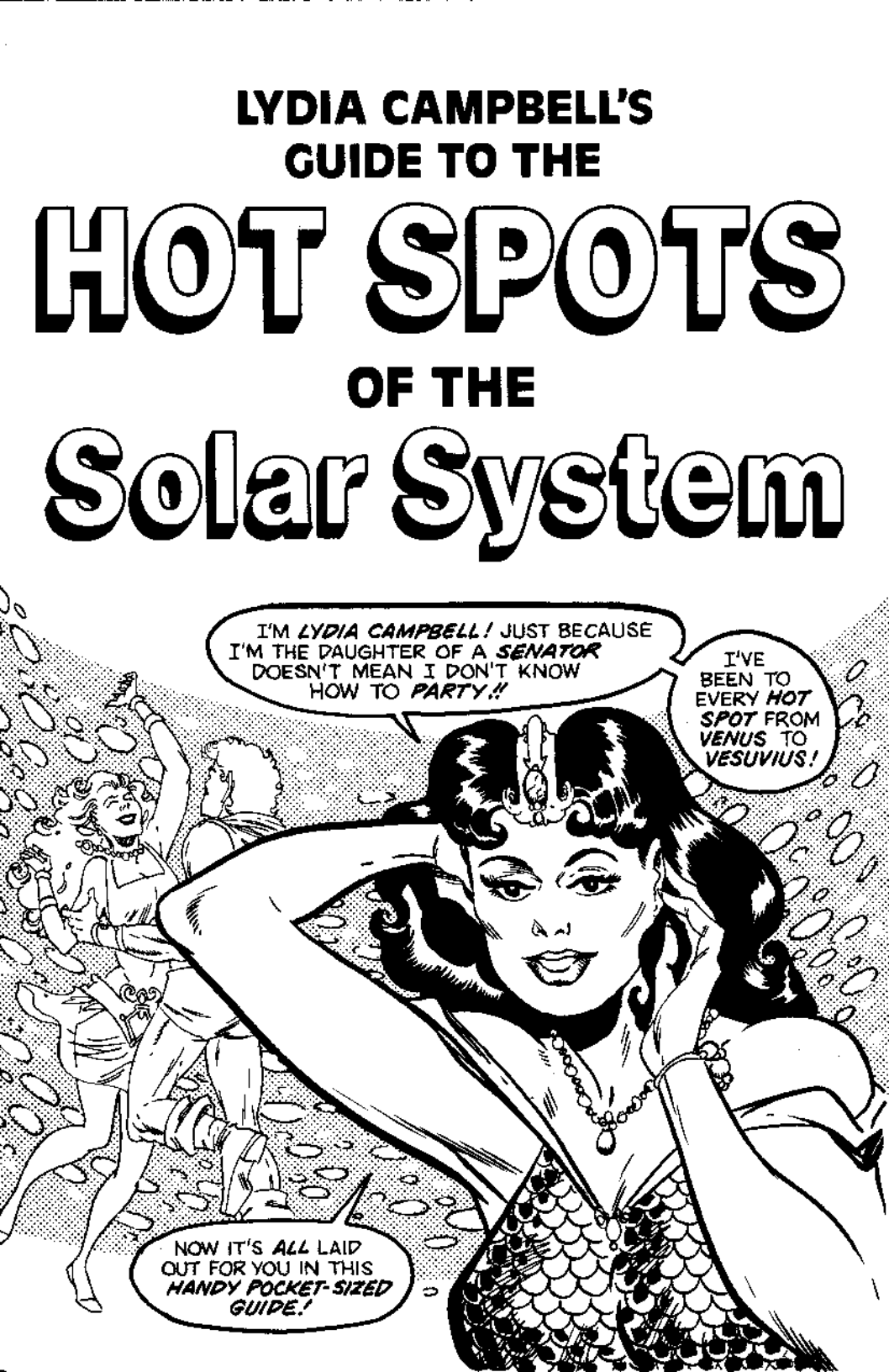
<http://www.replacementdocs.com>

LYDIA CAMPBELL'S  
GUIDE TO THE

# HOT SPOTS

OF THE

# Solar System



I'M *LYDIA CAMPBELL*! JUST BECAUSE  
I'M THE DAUGHTER OF A *SENATOR*  
DOESN'T MEAN I DON'T KNOW  
HOW TO *PARTY*!!

I'VE  
BEEN TO  
EVERY *HOT*  
*SPOT* FROM  
*VENUS* TO  
*VESUVIUS*!

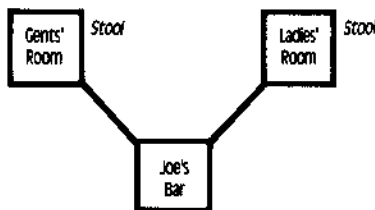
NOW IT'S ALL LAID  
OUT FOR YOU IN THIS  
*HANDY POCKET-SIZED*  
*GUIDE!*

JOE'S CREAMY DRAFT BEER IS KNOWN FROM *MERCURY* TO *MARS*. HE MAKES A *TERRIBLE* PIZZA, THOUGH, AND GETS *HURT* IF YOU DON'T EAT A *WHOLE 10-INCHER*. ONE TRICK THE *REGULARS* KNOW IS TO SNEAK INTO THE *BATHROOM* AND *ABANDON* THE SLICES *THERE!*



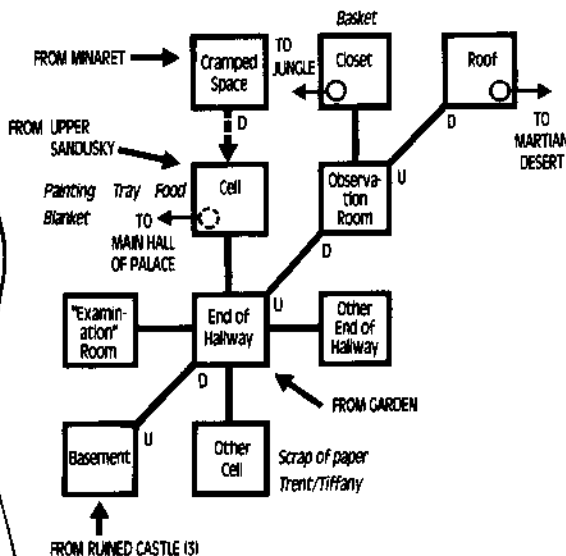
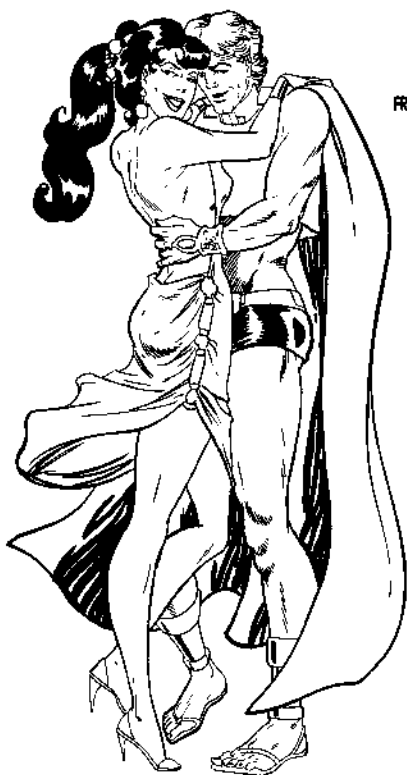
# JOE'S BAR

## Upper Sandusky, Ohio



# CRAMPED SPACE

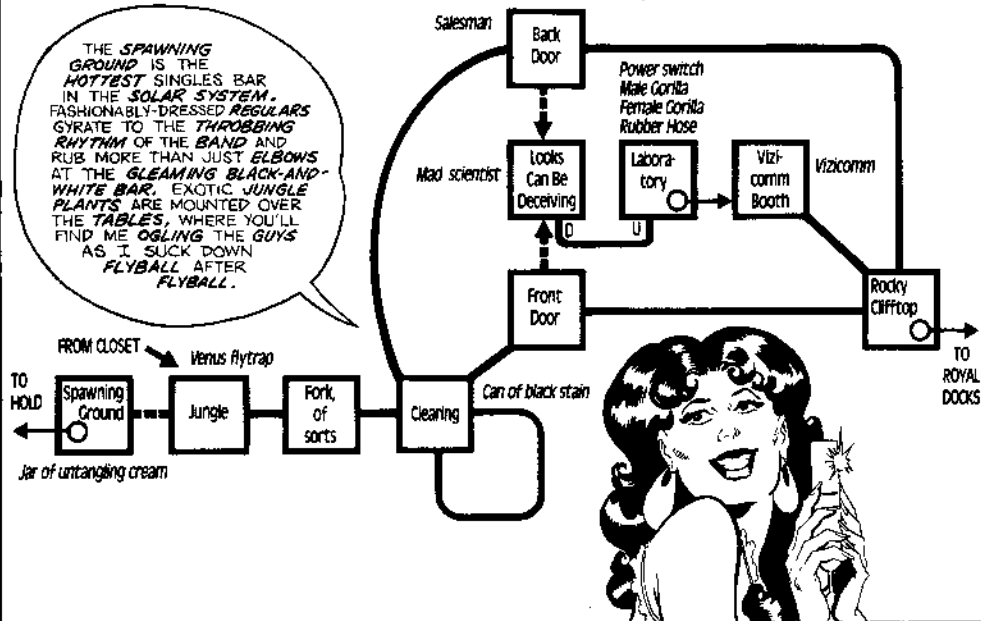
## Phobos Cell Area



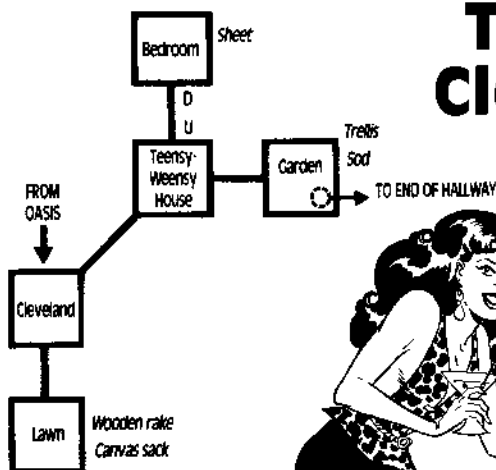
EVEN GIRLS LIKE *ME* KNOW THAT WHEN THE PARTY'S *OVER*, YOU NEED A PLACE TO BE WITH THAT *CERTAIN SOMEONE*. THAT'S WHEN *I* RECOMMEND SQUEEZING INTO A *CRAMPED SPACE* WITH YOUR *HONEY*. YOU CAN *WEAR* OR *DO* NEARLY *ANYTHING* YOU *WANT* WHEN THERE'S JUST THE TWO OF YOU *CHEEK-TO-CHEEK* IN THIS *PRIVATE HIDEAWAY*.

# SPAWNING GROUND, Venus

THE SPAWNING GROUND IS THE HOTTEST SINGLES BAR IN THE SOLAR SYSTEM. FASHIONABLY-DRESSED REGULARS GYRATE TO THE THROBBING RHYTHM OF THE BAND AND RUB MORE THAN JUST ELBOWS AT THE GLEAMING BLACK-AND-WHITE BAR. EXOTIC JUNGLE PLANTS ARE MOUNTED OVER THE TABLES, WHERE YOU'LL FIND ME OGLING THE GUYS AS I SUCK DOWN FLYBALL AFTER FLYBALL.

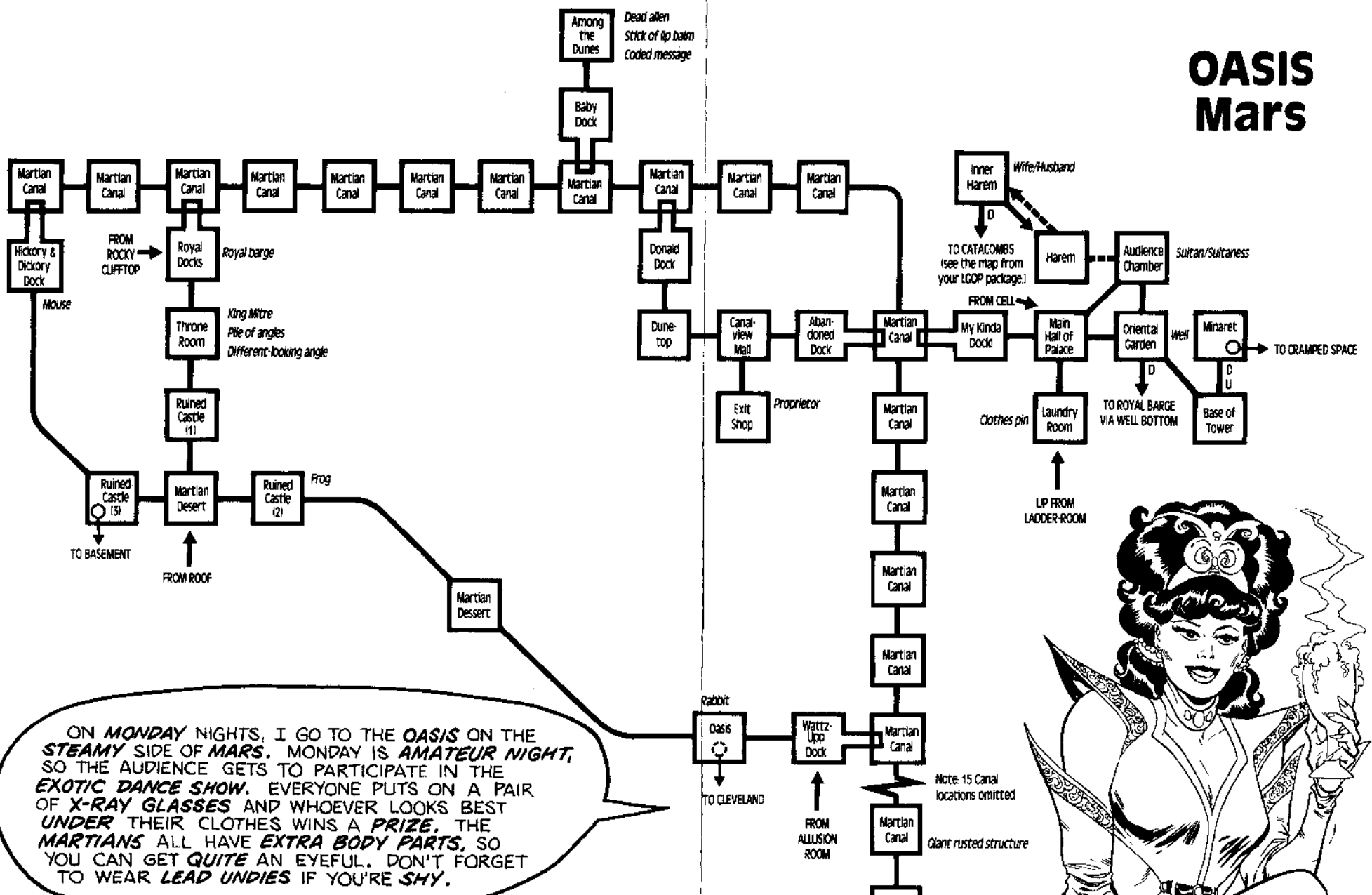


# THE BEDROOM Cleveland, Ohio

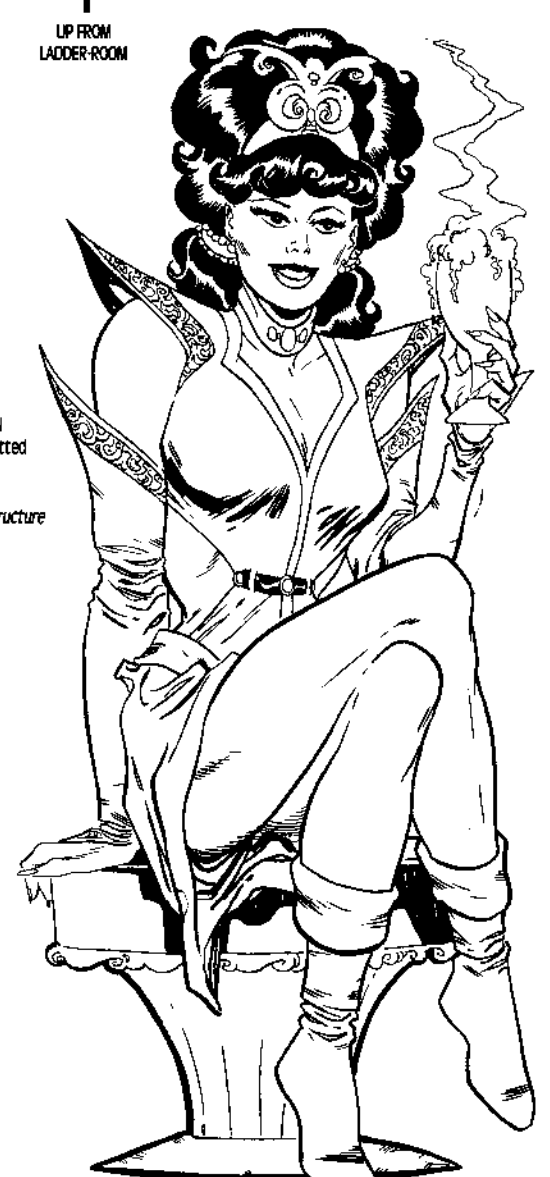


THIS PLACE MIGHT LOOK SMALL, BUT YOU'LL BE AMAZED AT HOW MANY FUN-LOVING PARTY-GOERS CAN FIT INSIDE! ALTHOUGH IT'S REALLY JUST THE BEDROOM OF MY FRIEND ROD, I'VE BEEN TO SO MANY SWELL PARTIES WITH SO MANY DIFFERENT PEOPLE THAT I THINK OF IT AS A PUBLIC PLACE. YOU CAN, TOO!

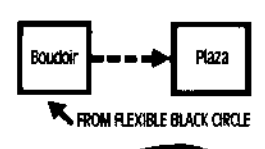
# OASIS Mars



ON MONDAY NIGHTS, I GO TO THE OASIS ON THE STEAMY SIDE OF MARS. MONDAY IS AMATEUR NIGHT, SO THE AUDIENCE GETS TO PARTICIPATE IN THE EXOTIC DANCE SHOW. EVERYONE PUTS ON A PAIR OF X-RAY GLASSES AND WHOEVER LOOKS BEST UNDER THEIR CLOTHES WINS A PRIZE. THE MARTIANS ALL HAVE EXTRA BODY PARTS, SO YOU CAN GET QUITE AN EYEFUL. DON'T FORGET TO WEAR LEAD UNDIES IF YOU'RE SHY.



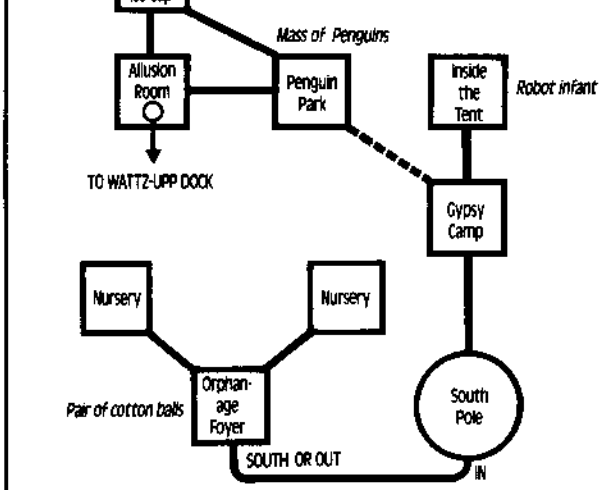
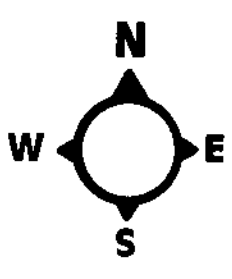
## BOUDOIR, Phobos Palace Area



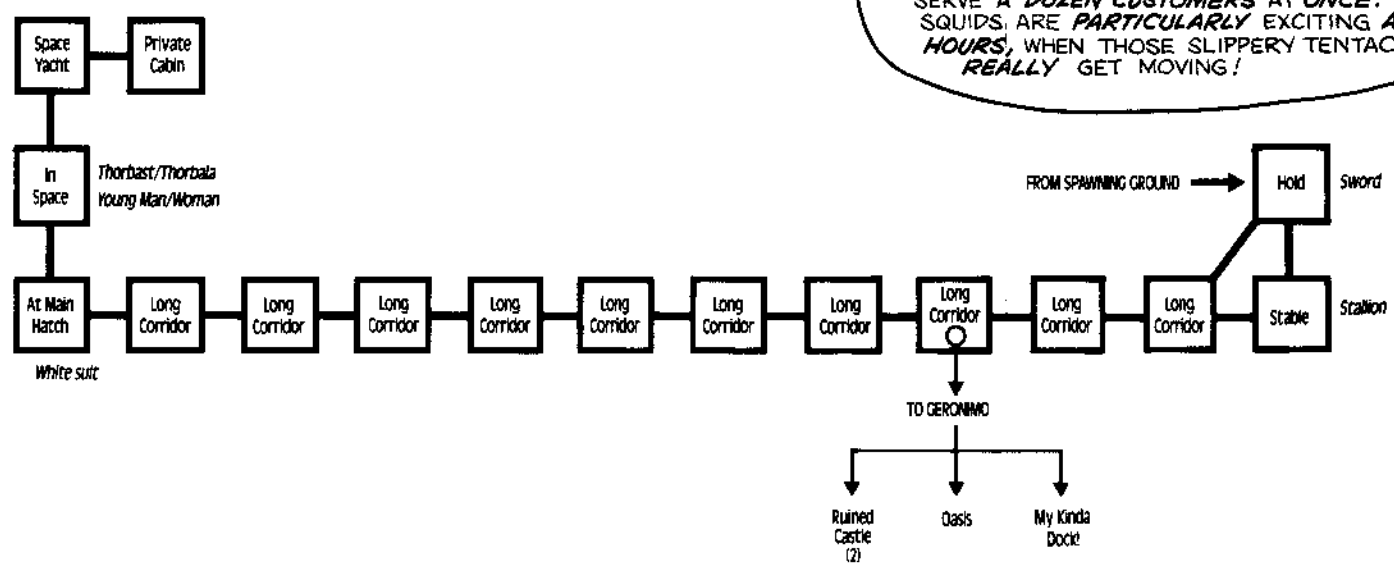
ON FRIDAY NIGHTS, MEET ME AT THE BOUDOIR CLUB ON PHOBOS. IF IT'S EARLY IN THE EVENING, I'M USUALLY BY MYSELF, WAITING FOR A WELL-OILED SAMURAI ROBOT I KNOW TO GET OFF GUARD DUTY. THINGS GET REALLY HOT AFTER 23:00, WHEN DOZENS OF PANTING BODIES FROM THE SPACE YACHT CROWD PRESS ONTO THE DANCE FLOOR.

## LEGEND

- Normal Passageway
  - One-way Passageway
  - Passageway requiring special equipment or puzzle-solving
  - Teleportation exit
  - Teleportation exit requiring puzzle-solving.
- Note: Vertical connections are labelled U (for UP) and D (for DOWN).



## MAIN HATCH Near Saturn



THERE'S ALWAYS SOMETHING KINKY GOING ON HERE IN THE OUTER REACHES OF THE SOLAR SYSTEM, WHEN YOU'RE NOT JOINING IN THE FUN, IT'S A KICK TO WATCH THE SPACE SQUID BARTENDERS SERVE A DOZEN CUSTOMERS AT ONCE. THE SQUIDS ARE PARTICULARLY EXCITING AFTER HOURS, WHEN THOSE SLIPPERY TENTACLES REALLY GET MOVING!



OF ALL THE HOT SPOTS OF THE SOLAR SYSTEM, MY PERSONAL FAVORITE IS THE *MAIN HATCH*, THOSE *BAR-TENDERS* ARE *HARD TO BEAT*. TREAT *YOUR* THIRSTY LIPS TO A *SPACE PROBE COOLER*, AND YOU MAY GET ONE OF THEM TO INVITE YOU TO AN *AFTER-HOURS PARTY*. THERE'S OFTEN A *LINE* OUTSIDE THE MAIN HATCH, BUT *FANGTHWART*, THE DOORKEEPER, IS A *REAL CUTIE*, AND HE'LL LET YOU IN WHENEVER YOU FEEL LIKE COMING. JUST TELL HIM *LYDIA* SENT YOU.



# INFOCOM™

Infocom, Inc., 125 Cambridgepark Dr., Cambridge, MA 02140  
HB-IC1-MAP

LEATHER GODDESSES OF PHOBOS  
is a trademark of Infocom, Inc.

1 2 3 4 5 6 7 8 9 — 90 89 88 87 86

© 1986 Infocom, Inc.  
Printed in U.S.A.